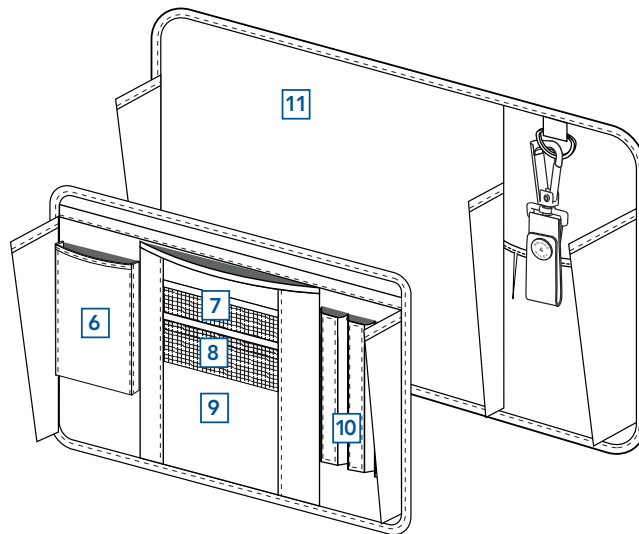


1. Leather key fob snaps onto D-ring making keys easy to find.
2. Padded, fleece lined pocket protects your PDA or digital camera.
3. Zippered mesh pockets holds pens, pencils and markers.
4. USB drive pocket with elastic gussets helps keep drives handy.
5. Gusseted, zippered mesh pocket is perfect for holding CDs or Blu-ray Discs
6. Padded, fleece lined pocket protects your cell phone.



7. Pocket for your business cards.
8. Pocket for other people's business cards.
9. Slip pocket holds receipts.
10. Elastic pockets stretch tight to secure pens of most sizes.
11. File/magazine section.
12. Coal chute holds a laptop power supply.

@ w o r k